

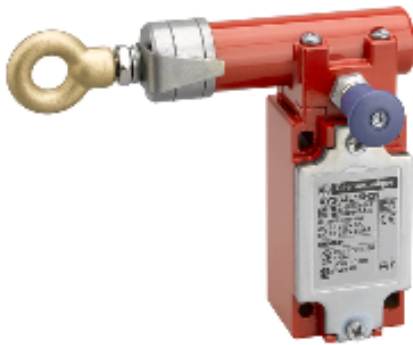
XY2CJL19H29

Latching emergency stop rope pull switch,
Telemecanique rope pull switches XY2C, e
XY2CJ, left side, 2NC+1 NO, ISO M20



Product availability: Non-Stock - Not normally stocked in distribution facility

Price*: 110.00 USD



Main

Range of product	Telemecanique Emergency stop rope pull switches XY2C
Product or Component Type	Latching emergency stop rope pull switch
Device short name	XY2C
Housing colour	Red RAL 3000
Overvoltage category	Class I conforming to EN/IEC 61140

Complementary

Local signalling	Color indicator
Number of cables	1
Trigger cable maximum length	98.43 Ft (30 m)
Body Material	Zamak
Cover Material	Galvanised steel
Reset	By pull button
Contacts type and composition	2 NC + 1 NO
Contact operation	Slow-break
Trigger cable anchor point	LH side
Connections - terminals	Screw clamp terminal, 1 x 0.34...1 x 1 mm ² Screw clamp terminal, 1 x 0.34...2 x 0.75 mm ²
Tightening torque	7.08...10.62 Lbf.In (0.8...1.2 N.m)
Cable entry number	1 tapped entry ISO M20 cable gland
Safety level	Can reach PL = e with the appropriate monitoring system and correctly wired conforming to EN/ISO 13849-1 Can reach category 4 with the appropriate monitoring system and correctly wired conforming to EN/ISO 13849-1 Can reach SIL 3 with the appropriate monitoring system and correctly wired conforming to EN/IEC 61508
Safety reliability data	B10d = 500000 value given for a life time of 20 years limited by mechanical or contact wear IEC 60947-5-5
Marking	CE
Mechanical durability	100000 Cycles

Distance between cable supports	16.40 Ft (5 m)
[Ie] rated operational current	0.1 A 250 V, DC-13, R300 EN/IEC 60947-5-1 appendix A 1.5 A 240 V, AC-15, B300 EN/IEC 60947-5-1 appendix A
[Ithe] conventional enclosed thermal current	6 A
[Ui] rated insulation voltage	400 V 3)EN/IEC 60947-1 300 VUL 508 300 VCSA C22.2 No 14
[Uimp] rated impulse withstand voltage	4 KV EN/IEC 60947-1
Positive opening	With conforming to EN/IEC 60947-5-1
Maximum resistance across terminals	25 MOhm conforming to EN/IEC 60255-7 category 3 25 MOhm conforming to NF C 93-050 method A
Short-circuit protection	6 A cartridge fuse gG EN/IEC 60269
Terminals description ISO n°1	(31-32)NC (21-22)NC (13-14)NO
Product Weight	1.47 Lb(US) (0.669 kg)
Compatibility code	XY2CJ

Environment

Standards	EN/ISO 13850 EN/IEC 60947-5-1 CSA C22.2 No 14 UL 508 EN/IEC 60204-1 EN/IEC 60947-5-5 Work equipment directive 2009/104/EC Machinery directive 2006/42/EC
Product certifications	UL category NISD emergency stop devices CSA CCC EAC
Protective treatment	TC
Ambient Air Temperature for Operation	-13...158 °F (-25...70 °C)
Ambient Air Temperature for Storage	-40...158 °F (-40...70 °C)
Vibration resistance	10 gn 10...150 Hz)EN/IEC 60068-2-6
Shock resistance	50 gn 11 ms conforming to EN/IEC 60068-2-27
IP degree of protection	IP66 conforming to IEC 60529 IP67 conforming to IEC 60529

Ordering and shipping details

Category	22441 - LIMIT SWITCHES,CABLE PULL
Discount Schedule	T
GTIN	03389119619417
Nbr. of units in pkg.	1
Package weight(Lbs)	28.11 Oz (797 g)
Returnability	No
Country of origin	ID

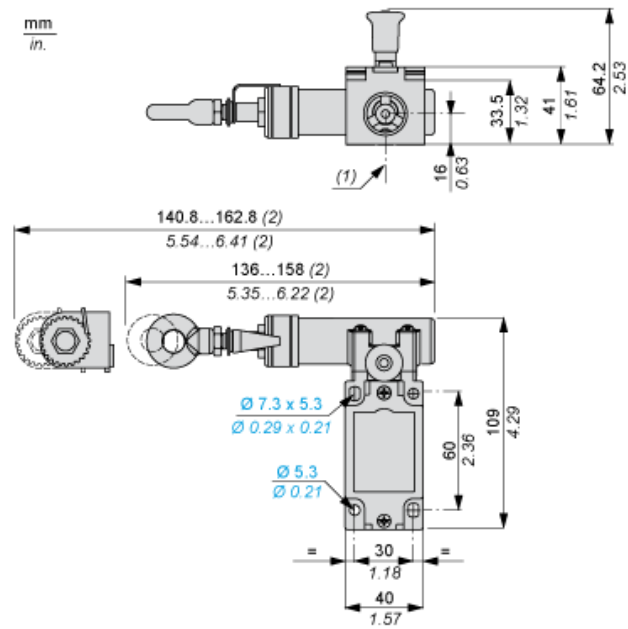
Packing Units

Unit Type of Package 1	PCE
Package 1 Height	3.54 In (9 cm)
Package 1 width	6.30 In (16 cm)
Package 1 Length	7.99 In (20.3 cm)

Offer Sustainability

Sustainable offer status	Green Premium product
California proposition 65	WARNING: This product can expose you to chemicals including: Diisononyl phthalate (DINP), which is known to the State of California to cause cancer, and Diisodecyl phthalate (DIDP), which is known to the State of California to cause birth defects or other reproductive harm. For more information go to www.P65Warnings.ca.gov
REACH Regulation	REACH Declaration
EU RoHS Directive	Pro-active compliance (Product out of EU RoHS legal scope) EU RoHS Declaration
Mercury free	Yes
RoHS exemption information	Yes
Environmental Disclosure	Product Environmental Profile

Dimensions

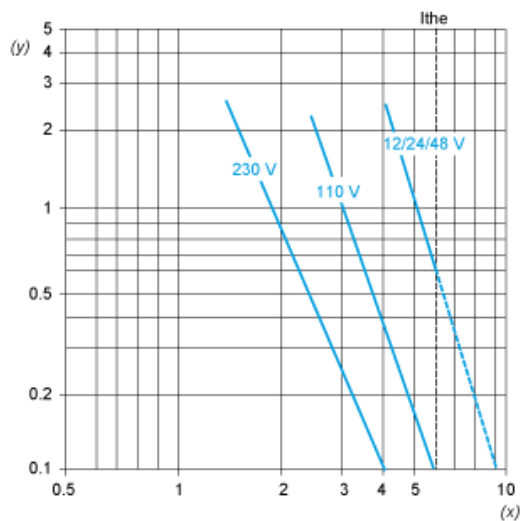


- (1) Tapped entry for ISO M20
(2) Maximum extension.

Electrical Curves

AC Supply 50/60 Hz Inductive Circuit

3-pole Contact Block



Y Millions of operating cycles
X Current in A

DC Supply Power Broken in for 1 Million Operating Cycles Inductive Circuit

Voltage	V	24	48	120
i_{mm}	W	4	3	2

Product Life Status : **Commercialised**